

PLURIJET 90X-130X-200X

TECHNOPOLYMER IMPELLERS

Self-priming multi-stage pumps

 Clean water

 Domestic use

 Civil use



PERFORMANCE RANGE

- Flow rate up to **200 l/min** (12 m³/h)
- Head up to **97 m**

APPLICATION LIMITS

- Manometric suction lift up to **9 m** (HS)
- Liquid temperature between **-10 °C** and **+40 °C**
- Ambient temperature up to **+40 °C**
- Max. working pressure **10 bar**
- Continuous service **S1**

CONSTRUCTION AND SAFETY STANDARDS

EN 60335-1
IEC 60335-1
CEI 61-150

EN 60034-1
IEC 60034-1
CEI 2-3



CERTIFICATIONS

Company with management system certified DNV
ISO 9001: QUALITY

INSTALLATION AND USE

The self-priming **PLURIJET** pumps are recommended for pumping clean water even in cases where air is present and for liquids which are not chemically aggressive towards the materials from which the pump is made.

Because of their silence, reliability and low energy consumption they are recommended for domestic and civil applications, in particular for pressurising and distributing water in combination with pressure tanks, for the recovery of rain water, for irrigation systems, etc.

Installation needs to be undertaken in well ventilated closed areas or anyway protected from bad weather.

PATENTS - TRADE MARKS - MODELS

- Registered Trade Mark n. 3974301 PLURIJET®
- Patent n. EP14755156.8

OPTIONS AVAILABLE ON REQUEST

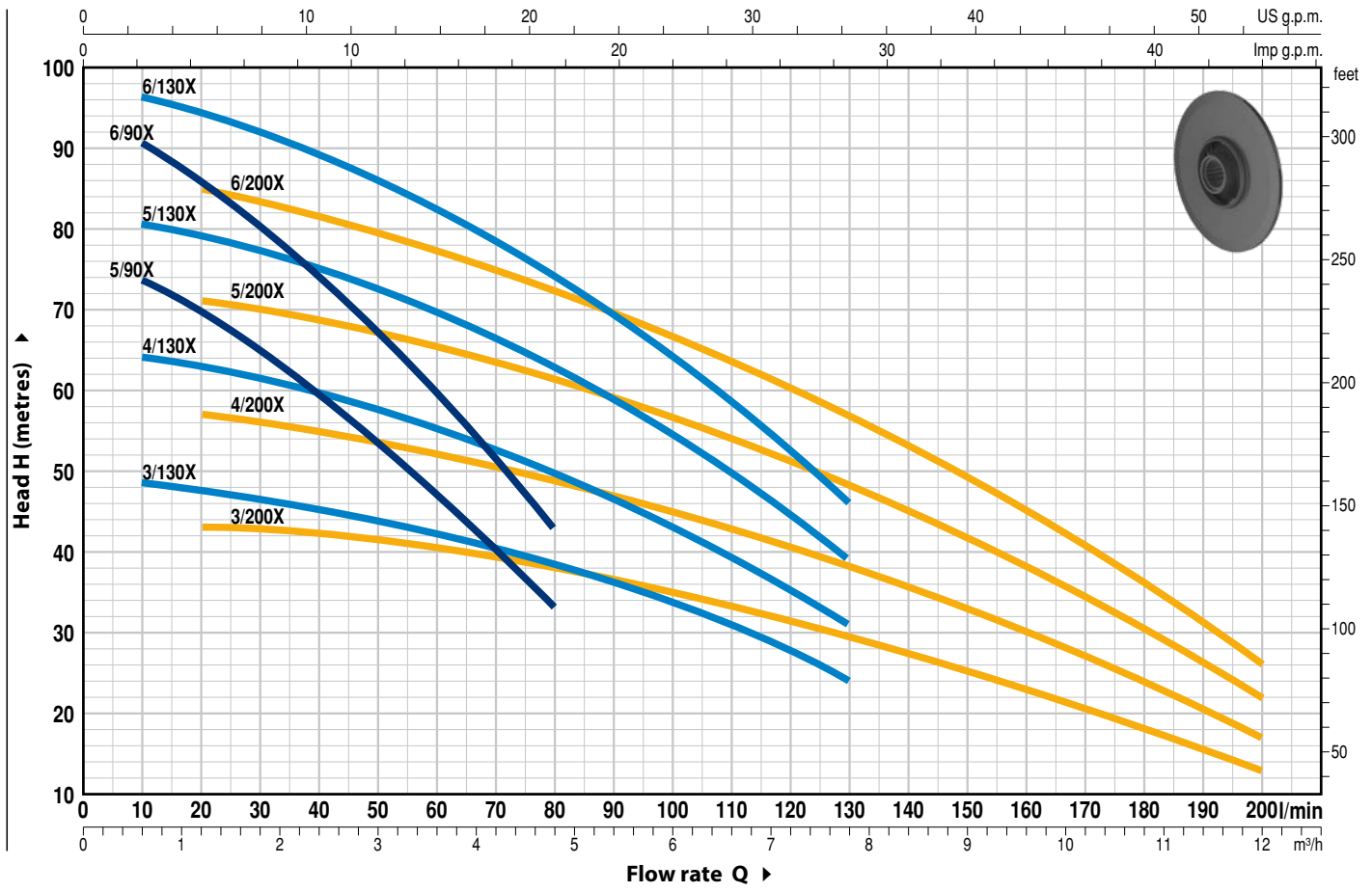
- Pump body with NPT ANSI B 1.20.1 threaded ports
- Other voltages
- IPX5 class protection

GUARANTEE

2 years subject to terms and conditions

CHARACTERISTIC CURVES AND PERFORMANCE DATA

60 Hz n = 3450 min⁻¹ HS = 0 m



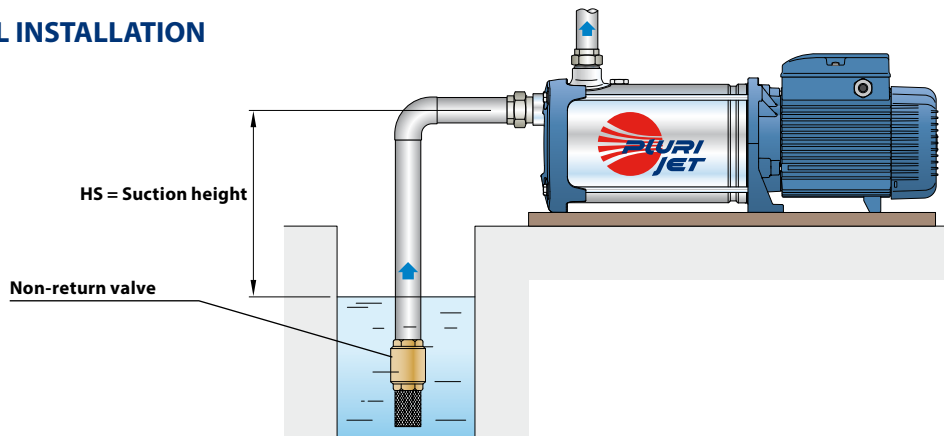
MODEL		POWER (P ₂)			Q	Flow rate													
Single-phase	Three-phase	kW	HP	▲		0	0.3	0.6	1.2	2.4	3.6	4.8	6.0	7.8	8.4	9.6	10.8	12.0	
					IE3	l/min													
						H metres	0	5	10	20	40	60	80	100	130	140	160	180	200
PLURIJETm 5/90X	PLURIJET 5/90X	1.1	1.5	▲	76		76	73.5	70	60.5	47	33							
PLURIJETm 6/90X	PLURIJET 6/90X	1.5	2		93	93	90.5	86	74.5	59.5	43								
PLURIJETm 3/130X	PLURIJET 3/130X	1.1	1.5		49	49	48.5	47.5	45	42.5	38.5	33.5	24						
PLURIJETm 4/130X	PLURIJET 4/130X	1.5	2		65	65	64	63	60	56	50	43	31						
PLURIJETm 5/130X	PLURIJET 5/130X	1.8	2.5		81	81	80.5	79	75	70	62.5	54	39						
-	PLURIJET 6/130X	2.2	3		97	97	96.5	94.5	90	83	74.5	64	46						
PLURIJETm 3/200X	PLURIJET 3/200X	1.1	1.5		44	43.5	43.5	43	42	40.5	38	35	29	27.5	23	18	13		
PLURIJETm 4/200X	PLURIJET 4/200X	1.5	2		58	57.5	57.5	57	55	52.5	49.5	45	38	35.5	30	24	17		
PLURIJETm 5/200X	PLURIJET 5/200X	1.8	2.5		73	72	71.5	71	69	65.5	62	56.5	48	44.5	38	30	22		
-	PLURIJET 6/200X	2.2	3		87	86	85.5	85	82	78	73	67	57	53	45	36	26		

Q = Flow rate H = Total manometric head HS = Suction height

Tolerance of characteristic curves in compliance with EN ISO 9906 Grade 3B.

▲ Three-phase motor efficiency class (IEC 60034-30-1)

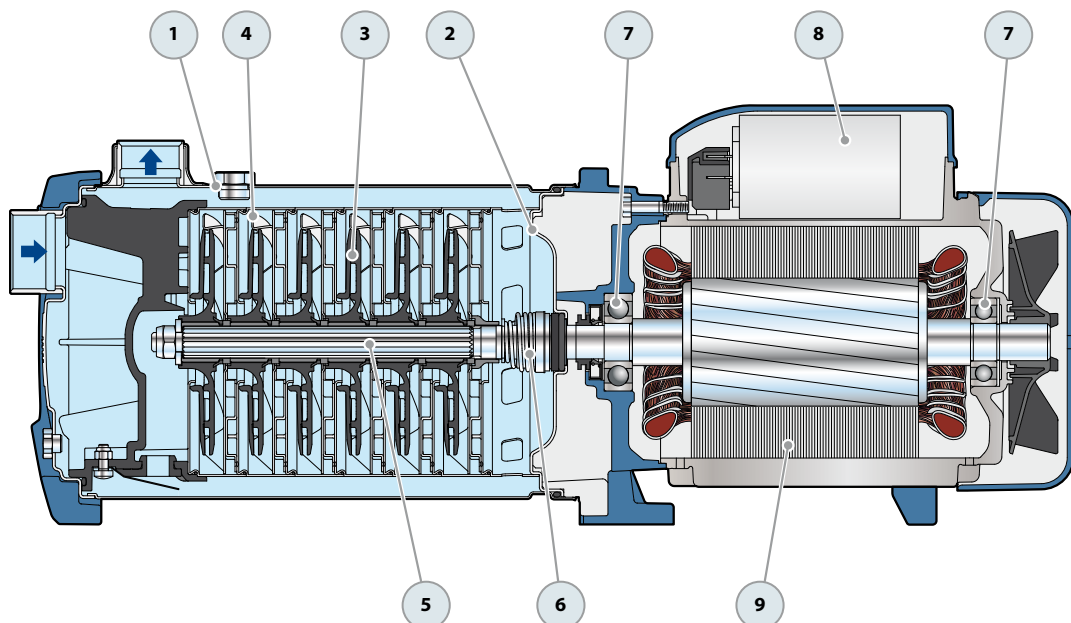
TYPICAL INSTALLATION



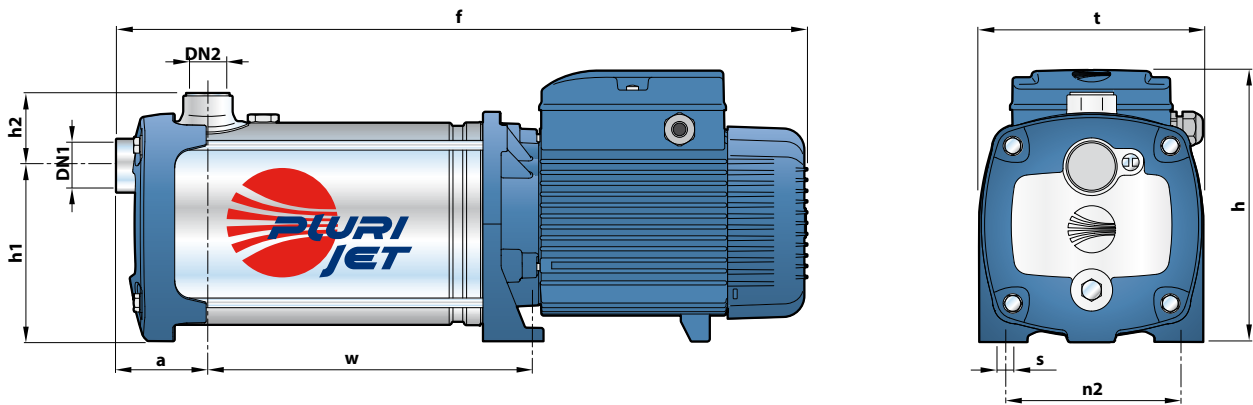
PLURIJET 90X-130X-200X

POS. COMPONENT CONSTRUCTION CHARACTERISTICS

1	PUMP BODY	Stainless steel AISI 304 complete with threaded ports in compliance with ISO 228/1				
2	BODY BACKPLATE	Stainless steel AISI 304				
3	IMPELLERS	Noryl				
4	DIFFUSERS	Stainless steel AISI 304				
5	MOTOR SHAFT	Stainless steel AISI 431				
6	MECHANICAL SEAL	Seal Model	Shaft Diameter	Materials		
		FN-18	Ø 18 mm	<i>Stationary ring</i>	<i>Rotational ring</i>	<i>Elastomer</i>
				Graphite	Ceramic	NBR
7	BEARINGS	6304 2RS - C3 / 6204 ZZ - C3E				
8	CAPACITOR	Pump Single-phase	Capacitance (220 V)		(110 V or 127 V)	
		PLURIJETm 5/90X PLURIJETm 3/130X PLURIJETm 3/200X	31.5 µF - 450 VL		60 µF - 250 VL	
		PLURIJETm 6/90X PLURIJETm 4/130X PLURIJETm 4/200X	45 µF - 450 VL		80 µF - 250 VL	
		PLURIJETm 5/130X PLURIJETm 5/200X	50 µF - 450 VL		-	
9	ELECTRIC MOTOR	<p>PLURIJETm: single-phase 220 V - 60 Hz with thermal overload protector incorporated into the winding.</p> <p>PLURIJET: three-phase 220/380 V - 60 Hz or 220/440 V - 60 Hz.</p> <p>⇒ The three-phase pumps are fitted with high performance motors in class IE3 (IEC 60034-30-1)</p> <p>- Insulation: class F - Protection: IP X4</p>				



DIMENSIONS AND WEIGHT



MODEL		PORTS		DIMENSIONS mm									kg	
Single-phase	Three-phase	DN1	DN2	a	f	h	h1	h2	t	n2	w	s	1~	3~
PLURIJETm 5/90X	PLURIJET 5/90X	1 1/4"	1"	75	549	228	145	59	185	145	243	11	19.5	19.5
PLURIJETm 6/90X	PLURIJET 6/90X				573						269		21.4	20.2
PLURIJETm 3/130X	PLURIJET 3/130X				497						191		17.9	18.0
PLURIJETm 4/130X	PLURIJET 4/130X				523						217		19.8	19.8
PLURIJETm 5/130X	PLURIJET 5/130X				569						243		23.1	23.7
-	PLURIJET 6/130X				595						269		-	24.0
PLURIJETm 3/200X	PLURIJET 3/200X				497						191		17.9	18.0
PLURIJETm 4/200X	PLURIJET 4/200X				523						217		19.9	19.8
PLURIJETm 5/200X	PLURIJET 5/200X				569						243		23.2	23.7
-	PLURIJET 6/200X				595						269		-	24.0

ABSORPTION

MODEL	VOLTAGE		
Single-phase	220 V	110 V	127 V
PLURIJETm 5/90X	9.3 A	18.5 A	16.1 A
PLURIJETm 6/90X	11.0 A	22.0 A	19.1 A
PLURIJETm 3/130X	8.5 A	17.0 A	14.7 A
PLURIJETm 4/130X	11.0 A	22.0 A	19.1 A
PLURIJETm 5/130X	13.0 A	26.0 A	22.5 A
PLURIJETm 3/200X	8.6 A	17.2 A	14.8 A
PLURIJETm 4/200X	11.0 A	22.0 A	19.1 A
PLURIJETm 5/200X	13.0 A	26.0 A	22.5 A

MODEL	VOLTAGE			
Three-phase	220 V	380 V	220 V	440 V
PLURIJET 5/90X	7.0 A	4.0 A	5.5 A	3.5 A
PLURIJET 6/90X	7.5 A	4.3 A	7.0 A	4.0 A
PLURIJET 3/130X	6.0 A	3.4 A	5.2 A	3.2 A
PLURIJET 4/130X	7.0 A	4.0 A	5.5 A	3.5 A
PLURIJET 5/130X	9.0 A	5.2 A	8.3 A	4.8 A
PLURIJET6/130X	10.0 A	5.8 A	9.6 A	5.6 A
PLURIJET 3/200X	7.0 A	4.0 A	5.5 A	3.5 A
PLURIJET 4/200X	7.5 A	4.3 A	7.0 A	4.0 A
PLURIJET 5/200X	9.0 A	5.2 A	8.3 A	4.8 A
PLURIJET 6/200X	10.0 A	5.8 A	9.6 A	5.6 A